



NetDoc AD 2013

Fact Sheet

NetDoc AD is an add-in that integrates seamlessly with Microsoft Visio 2013. Through the use of an integrated directory explorer, drag-and-drop drawing, and AD interfaces, you can easily diagram the most important aspects of your Active Directory.

You can expand a directory in the NetDoc AD Explorer, and then drag the whole thing in one fell swoop onto the Visio page! Or, you can drop a single node onto a page, and click-and-expand on down the tree as you wish.

Each shape represents a node in your directory, and contains AD properties that you can view by selecting the shape and opening a window.

We call it semi-automatic drawing, because you can diagram just those portions of the network that you want, but are free to expand and collapse particular segments as you wish.

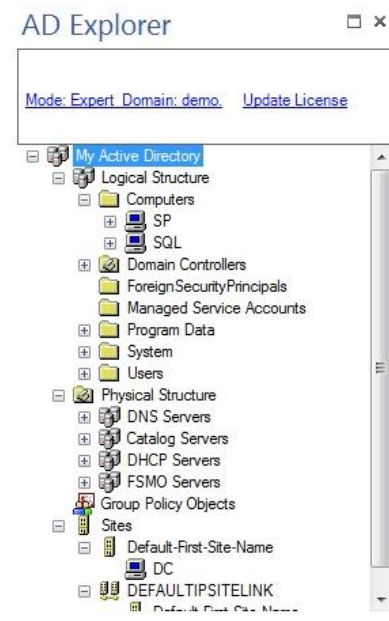
Once you've created diagrams of the important parts of your directory, you can save and archive the drawings as a backup device, or to serve as a comparison against future states. You can easily print the diagrams for storage, or you can publish them to your intranet using Visio's built-in "Save As Web" feature.



NetDoc AD Explorer

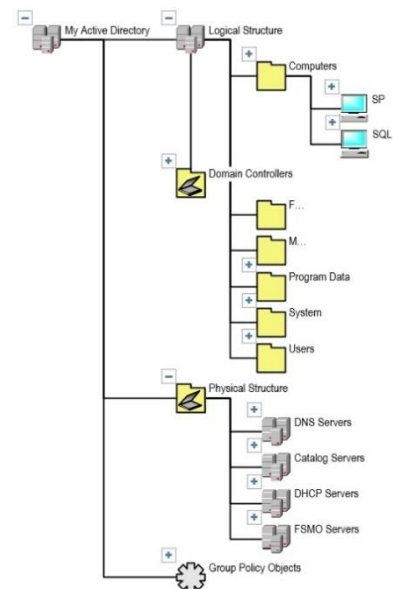
The AD Explorer is the add-ins main interface and displays a tree-view which represents your Active Directory. OUs and elements can be expanded and collapsed with a simple click of the mouse.

You can drag any node onto the drawing page. NetDoc AD will add the nodes exactly as shown to the drawing page. So you can quickly configure the nodes you want to see in the explorer, and then simply drag them to the Visio page.



Creating Diagrams

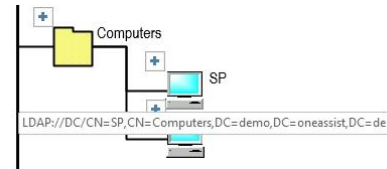
To create a diagram, simply drag any node you wish from the Explorer to the drawing page. NetDoc AD, in combination with Visio will automatically place the corresponding shapes onto the drawing page and connect them. In addition, each shape will be populated with the corresponding AD properties for the element that the shape represents.





AD Path Screen Tips

If you pause the mouse cursor over a NetDoc AD shape for a second, you can get a quick glimpse of the Active Directory path to the node that the shape represents.



User Groups

A nice feature of NetDoc AD 2013 is that it lets you browse User Groups as though they were containers. The built-in tools that come with Windows Server do not offer an easy way to view the members of a group. In NetDoc AD, you simply expand a Group by clicking an Explorer node or a Shape on the Visio page!

Menus

NetDoc AD installs a "NetDoc AD" ribbon tab in Visio's ribbon giving you a clear overview of the add-in's functionalities.

Also, NetDoc AD shapes have Smart Tags and right-click Context menu items that offer special functionality, like collapsing, expanding and selecting branches.



Properties of the objects

NetDoc AD also extracts a set of the properties from the AD objects and stores them in shapes. Therefore, the user not only has a graphical view of the AD, but also detailed information about each object.

The data is stored in the Custom Properties of each shape. These properties can be viewed by showing the Custom Properties custom window.

Using Microsoft Visio's reporting modules; reports can be generated that make use of these properties. Documentation can also easily be created in various formats (HTML or XML) and afterwards printed or stored for other purposes.

Property Name	Value
dNSHostName	SQL.demo.one
dSCorePropagationData	01.01.1601 00:00
instanceType	4
isCriticalSystemObject	False
lastLogoff	01.01.1601 01:00
lastLogon	16.07.2013 16:14
lastLogonTimestamp	11.07.2013 10:25
localPolicyFlags	0
logonCount	29
msDS-SupportedEncryptionTypes	28
name	SQL
nTSecurityDescriptor	N. A.
objectCategory	CN=Computer,
objectClass	computer
objectClass	organizationalP
objectClass	user
objectClass	person
objectClass	top
objectGUID	8d1168d2-8a87-
operatingSystem	Windows Serve
operatingSystemVersion	6.2 (9200)
primaryGroupID	515
pwdLastSet	15.07.2013 13:33
sAMAccountName	SQLS
sAMAccountType	805306369
servicePrincipalName	HOST/SQL
servicePrincipalName	RestrictedKrbHi
servicePrincipalName	HOST/SQL.dem
servicePrincipalName	RestrictedKrbHi



Summary

NetDoc AD is an add-on for Microsoft Visio that helps you semi-automatically document your Active Directory networks. In combination with the corresponding shapes and properties an easy-to-use documentation of the AD can be created.

Contact Information



oneAssist UG (haftungsbeschränkt)
Wielandstraße 1-2
D-10625 Berlin

www.oneassist.de
info@oneassist.de

Phone: +49 (30) 375 92050
Fax: +49 (30) 375 92051